

Stainless steel toilet for disabled people with a tank with bottom water inlet SLWN 16

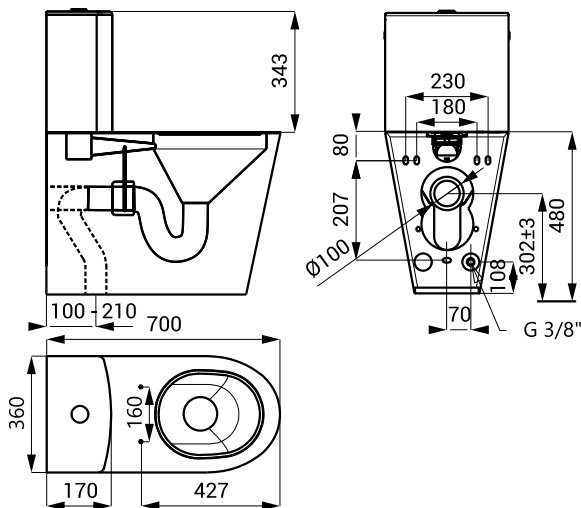


Characteristics



- for disabled and persons with limited mobility
- vandal-proof
- suitable for prison
- stainless steel floor standing toilet with a tank, fixed to the wall and floor
- cover seat hole plugs included
- waste into the wall or into the floor
- filled with expanded polyurethane (to avoid dents and typical metal noise)
- manual flushing 4/6 l
- rear assembling through the service hatch
- material AISI - 304
- brushed finish

Dimensions



Supply Specification

SLWN 16 - Supply No. 94160 stainless steel toilet with a tank

Recommended Accessories

SLZN 31C - Supply No. 95313 black cover seat, special hardened plastic, stainless steel pants