

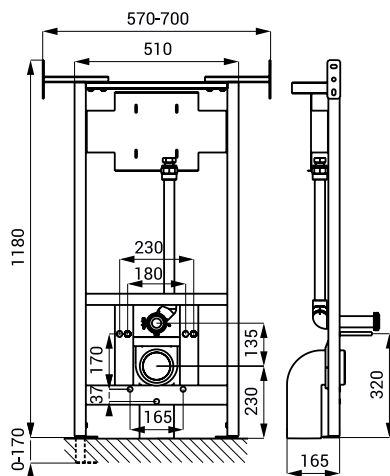
Mounting Frame for Toilets SLR 03A



Characteristics

- WC mounting frame, for installation in plasterboard partitions
- anchoring to the ground and to the back wall
- is designed for mounting of wall hung toilet and infra-red flushing units, which is placed above the toilet (SLW 01NK, SLW 01P, SLW 01PA, SLW 03PA, SLP 05)
- five-point system for fixing of stainless steel toilets
- possibility to use it at fixed distance 180 or 230 mm
- metal frame construction with surface finishing - blue powder coated
- adjustable height 1120 - 1290 mm
- adjustable depth 155 - 235 mm
- adjustable width 570-700 mm

Dimensions



Supply Specification

SLR 03A - Supply No. 08032 mounting frame, plate for mounting the installation box, set for connection of the installation box and for water connection \varnothing 50 mm, screws M10 for fixing the toilet, waste holder with elbow \varnothing 110 mm, mounting material