

# Stainless steel automatic drinking fountain SLUN 14ENS

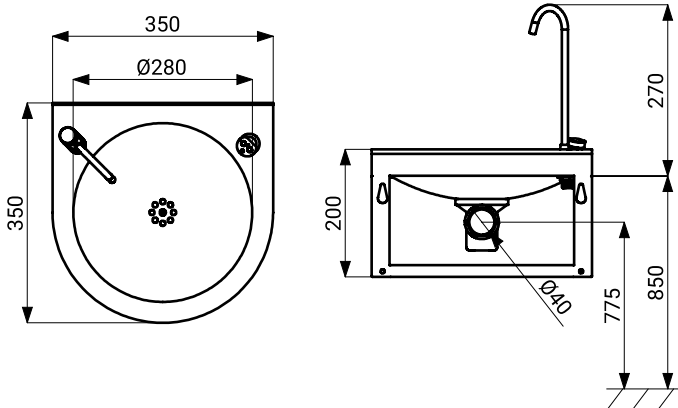


## Characteristics



- **hygienic flush**
- wall-mounted stainless steel drinking fountain with automatic control outlet and fitting for filling glasses
- responds to bringing the mouth close to the drinking fitting with immediate turning on the water
- the water turns off after the mouth is moved away from the detection zone
- safety function: water shuts off after 5 minutes
- option to switch to START/STOP mode
- parameter settings via remote control SLD 03
- mechanical water flow restriction
- material stainless steel AISI 304 (1.4301)
- brushed finish

## Dimensions



## Technical Specification

<b>Dimensions</b>	350 x 350 x 430 mm
<b>Weight</b>	5,5 kg
<b>Supply voltage</b>	24 V DC
<b>Power input</b>	7 W
<b>Range</b>	0,23 - 0,31 m
<b>Recommended working pressure</b>	0.1 - 0.6 MPa
<b>Flow rate</b>	1.4 l/min. (informative value)
<b>Water inlet</b>	internal thread G 1/2"

## Supply Specification

**SLUN 14ENS - Supply No. 93148** stainless steel drinking fountain with electronics, drinking fitting, fitting for filling glasses, solenoid valve (1 pc.), angle valve with filter (1 pc.), connecting hose, siphon, mounting set

## Recommended accessories

<b>SLZ 01Y</b>	- <b>Supply No. 05012</b>	24 V DC power supply for up to 5 drinkers
<b>SLZ 01Z</b>	- <b>Supply No. 05011</b>	24 V DC power supply for up to 9 drinkers
<b>SLZ 04Y</b>	- <b>Supply No. 05042</b>	24 V DC power supply for DIN rail, for up to 5 drinkers
<b>SLZ 04Z</b>	- <b>Supply No. 05041</b>	24 V DC power supply for DIN rail, for up to 9 drinkers
<b>SLZ 04X</b>	- <b>Supply No. 10049</b>	24 V DC power supply for DIN rail, for up to 15 drinkers
<b>SLD 03</b>	- <b>Supply No. 07030</b>	remote control for an adjustment of parameters

## Flow diagram

Rate of flow Q (l/min)

