

Stainless steel toilet paper holder SLZN 09W

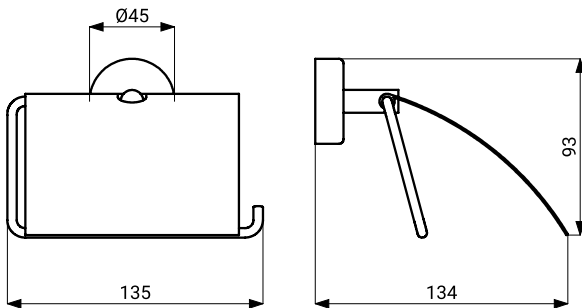


Characteristics



- stainless steel toilet paper holder
- material stainless steel
- surface white matte

Dimensions



Technical Specification

Dimensions
Weight

135 x 134 x 45 mm
0,32 kg

Supply Specification

SLZN 09W - Supply No. 95093 stainless steel toilet paper holder, mounting kit

Recommended accessories

SLA 59 - Supply No. 06590 special primer to increase the adhesion of 3M VHB tape



3M VHB TAPE

- installation without drilling using double-sided 3M VHB adhesive tape for perfect fixation



3M PRIMER

- installation without drilling using double-sided 3M VHB adhesive tape
- for perfect fixation, for products with higher load it is recommended to use a special primer to increase the adhesion of 3M VHB tape



MOUNTING KIT

- installation using the mounting kit