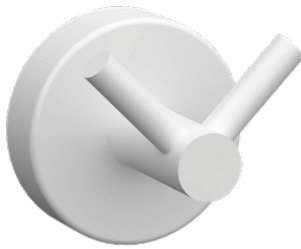


# Stainless steel hook SLZD 01W

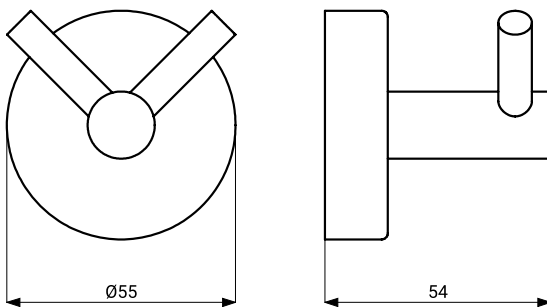


## Characteristics



- stainless steel hook
- material stainless steel
- surface white matte

## Dimensions



## Technical Specification

Dimensions  
Weight

55 x 54 x 55 mm  
0,24 kg

## Supply Specification

SLZD 01W - Supply No. 62013 stainless steel hook, mounting kit

## Recommended accessories

SLA 59 - Supply No. 06590 special primer to increase the adhesion of 3M VHB tape



### 3M VHB TAPE

- installation without drilling using double-sided 3M VHB adhesive tape for perfect fixation



### 3M PRIMER

- installation without drilling using double-sided 3M VHB adhesive tape  
- for perfect fixation, for products with higher load it is recommended to use a special primer to increase the adhesion of 3M VHB tape



### MOUNTING KIT

- installation using the mounting kit