

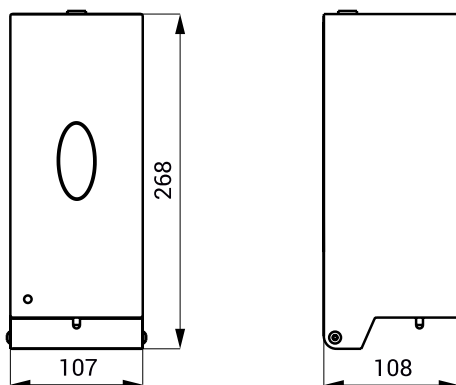
# Automatic stainless steel wall-mounted liquid/gel disinfection and soap dispenser SLZN 71EV



## Characteristics

- use in healthcare
- stainless steel wall-mounted dispenser for liquid and gel disinfectants and soaps
- lockable
- inner ABS plastic container
- material stainless steel AISI 304 (1.4301)
- surface black matte

## Dimensions



## Technical Specification

Dimensions	107 x 267 x 108 mm
Weight	1,48 kg
Material thickness	1 mm
Volume	0,8 l
Operating voltage	4,5 V
Power input	1 W
Soap viscosity	2000 mPa*s - 5000 mPa*s

## Supply Specification

SLZN 71EV - Supply No. 85710

stainless steel dispenser, inner plastic container, mounting kit,  
3 pcs alkaline batteries C LR14 1.5 V