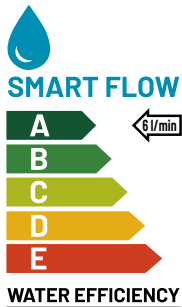


# Automatic washbasin tap SLU 56B



**SANELA**   
we make water cool®

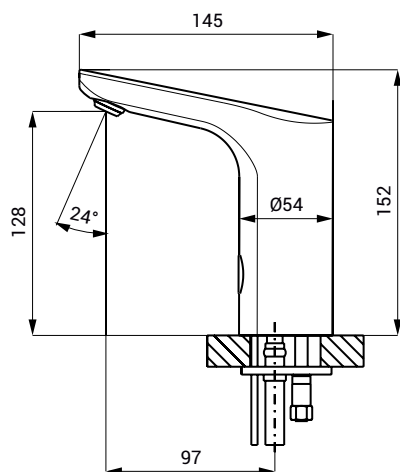


## Characteristics



- includes Bluetooth control (paid Sanela Control app available for download)
- economical aerator, flow rate 6 l/min
- hygienic flush
- is designed for single-pipe supply of cold or pre-mixed water
- responds to the presence of hands in the sensing zone with immediate water activation
- water shuts off after hands are removed and the set time elapses (can be set in the range 0.25 – 7.75 s)
- safety function: water shut-off after 5 minutes
- battery status monitoring
- option to switch to START/STOP mode
- parameter settings and communication with the electronics via Sanela Control application (Bluetooth) or remote control SLD 03
- the product meets the water consumption parameters for class 1. according to the EU Water Label criteria

## Dimensions



## Technical Specification

|  |  |
|--|--|
| <b>Dimensions</b>                              | 152 x 145 mm                                   |
| <b>Weight</b>                                  | 1,62 kg  |
| <b>Operating voltage</b>                       | 6 V  |
| <b>Power input</b>                             | 3 W  |
| <b>Battery life</b>                            | approx. 2 years (with 100 activations per day) |
| ▪ 4 pcs. AA alkaline batteries 1.5 V, 2700 mAh |  |
| <b>Range</b>                                   |  |
| ▪ standard                                     | 0,13 - 0,19 m                                  |
| ▪ in START/STOP mode                           | 0,05 - 0,15 m                                  |
| <b>Recommended working pressure</b>            | 0.1 - 0.6 MPa                                  |
| <b>Flow rate</b>                               | 6 l/min. (inf. data)                           |
| <b>Water inlet</b>                             | external thread G 1/2"                         |

## Supply Specification

SLU 56B - Supply No. 03565

tap body including Bluetooth module, with electronics, solenoid valve (1 pc.), connecting hose, 4 pcs. AA alkaline batteries 1.5 V, 2700 mAh with case

## Recommended accessories

SLD 03 - Supply No. 07030  
SLT 04 - Supply No. 09040  
SLT 05 - Supply No. 09050  
SLA 36 - Supply No. 06360  
SLA 55A - Supply No. 06550  
SLA 55B - Supply No. 06551  
SANELA CONTROL APP

remote control for an adjustment of parameters  
thermostatic valve 3/4", flow rate 28 l/min at 0.1 MPa pressure  
thermostatic valve 1/2", flow rate 42 l/min at 0.1 MPa pressure  
set of 4 pcs. AA alkaline batteries, 1.5 V, 2700 mAh  
water-saving aerator 3.8 l/min  
water-saving aerator 1.9 l/min  
paid Sanela Control application available for download on the App Store and Google Play