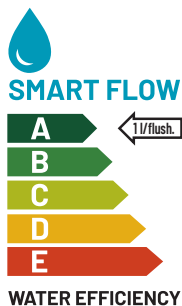


# Stainless Steel Automatic Urinal SLPN 07EB

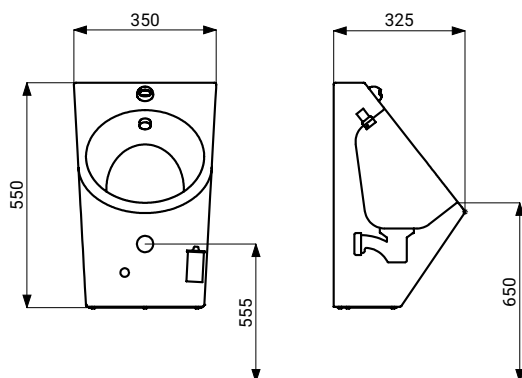


## Characteristics



- **vandal-proof**
- stainless steel wall hung urinal with integrated infra-red electronics
- rear assembling through the service hatch and screws
- system reacts to the user attendance in front of the urinal at a maximum distance of 0,7 m, minimum stay time in active range is 7,5 s
- system flushes after leaving of user from active range
- adjustable flushing time 0,5 - 15,5 s
- parameters adjustment by remote control SLD 03
- automatic hygiene flushing after 24 hours non-use
- monitoring of battery capacity
- material stainless steel AISI 304 (1.4301)
- brushed finish
- the product meets the water consumption parameters for class 1. according to the EU Water Label criteria

## Dimensions



\* for the height of the front edge of the urinal 650 mm above the floor

## Technical Specification

<b>Dimensions</b>	550 x 350 x 325 mm
<b>Weight</b>	8 kg
<b>Material thickness</b>	1,5 mm
<b>Operating voltage</b>	24 V DC
<b>Power input</b>	7W
<b>Battery life</b>	approx. 2 years (100 uses per day)
▪ 4 pcs. AA alkaline batteries AA, 1,5 V, 2700 mAh	
<b>Active range</b>	06 - 0,75 m
<b>Recommended flow pressure</b>	0,1 - 0,6 MPa
<b>Rate of flow</b>	12 l/min. (inf. data)
<b>Water inlet</b>	male thread G 1/2"

## Supply Specification

**SLPN 07EB - Supply No. 91072** stainless steel urinal with flushing head, sensor head with electronics, solenoid valve (1 pc.), angle valve with a filter, coupling hoses, mounting set, siphon, 4 pcs. AA alkaline batteries 1,5 V, 2700 mAh with battery case

## Recommended Accessories

**SLD 03** - **Supply No. 07030** remote control for an adjustment of parameters  
**SLR 10** - **Supply No. 08100** mounting frame for stainless steel urinals with built-in flush or stainless steel washbasins  
**SLA 36** - **Supply No. 06360** set of 4 pcs. alkaline batteries AA, 1,5 V, 2700 mAh