

Stainless Steel Automatic Washbasins

SLUN 75E, SLUN 76E, SLUN 76ET



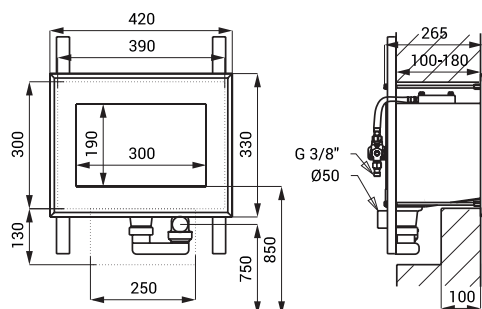
SLUN 75E

Characteristics



- economical aerator, rate of flow 6 l/min
- hygienic flush
- vandal-proof
- suitable for prison
- stainless steel recessed washbasin with integrated automatic water outlet
- SLUN 75E - is destined for cold a premixed water
- SLUN 76E - is destined for cold and hot water, temperature is regulated by angle valves
- SLUN 76ET - is destined for cold and hot water, temperature is regulated by thermostatic valve
- rear assembling by screws (M10, length 190 mm) from the service room
- water is flowing as long as hands are in the active range
- water stops flowing after removal of hands from the active range of sensor after adjustable time delay (can be set in range 0,25 - 7,75 s)
- function of automatic water stop after 5 minut of continuous flow
- monitoring of battery capacity (for models with index B)
- START/STOP program
- parameter adjustment using by the remote control SLD 03
- material AISI - 304
- brushed finish

Dimensions



Technical Specification

Operating voltage

- SLUN 75E, 76E, 76ET 24 V DC
- SLUN 75EB, 76EB, 76ETB 6 V

Power input

- operating by 24 V DC 7 W
- operating by 6 V 3 W

Battery life

- 4 pcs. AA alkaline batteries approx. 2 years (100 uses per day)
- AA, 1,5 V, 2700 mAh

Recommended flow pressure

- 0,1 - 0,6 MPa

Rate of flow

- 12 l/min. (inf. data)

Water inlet

- male thread G 1/2"

Supply Specification

SLUN 75E - Supply No. 93751
SLUN 75EB - Supply No. 93752

stainless steel washbasin with integrated water outlet and electronics, electromagnetic valve (1 pc.), connecting hoses, angle valve with filter (1 pc.), siphon, mounting set, 4 pcs. AA alkaline batteries 1,5 V, 2700 mAh (SLUN 75EB)

SLUN 76E - Supply No. 93761
SLUN 76EB - Supply No. 93762

stainless steel washbasin with integrated water outlet and electronics, electromagnetic valve (1 pc.), Y-piece, connecting hoses, angle valve with filter and check valve (2 pcs.), siphon, mounting set, 4 pcs. AA alkaline batteries 1,5 V, 2700 mAh (SLUN 76EB)

SLUN 76ET - Supply No. 93763
SLUN 76ETB - Supply No. 93764

stainless steel washbasin with integrated water outlet with electronics, electromagnetic valve (1 pc.), thermostatic valve (1 pc.), connecting hoses, angle valve with filter and check valve (2 pcs.), siphon, mounting set, 4 pcs. AA alkaline batteries 1,5 V, 2700 mAh (SLUN 76ETB)

Recommended Accessories

SLZ 01Y - Supply No. 05012
SLZ 01Z - Supply No. 05011
SLZ 04Y - Supply No. 05041
SLZ 04Z - Supply No. 05042
SLZ 04X - Supply No. 10049
SLZ 06 - Supply No. 05060
SLD 03 - Supply No. 07030
SLA 36 - Supply No. 06360

power supply 24 V DC for operating of max. 5 pcs. of washbasins
power supply 24 V DC for operating of max. 9 pcs. of washbasins
power supply 24 V DC for DIN rail, for operating of max. 5 pcs. of washbasins
power supply 24 V DC for DIN rail, for operating of max. 9 pcs. of washbasins
power supply 24 V DC for DIN rail, for operating of max. 15 pcs. of washbasins
power supply 24 V DC for operating of max. 1 pc. of washbasin
remote control for an adjustment of parameters
set of 4 pcs. alkaline batteries AA, 1,5 V, 2700 mAh (for models with index B)